

Frame Size F (16-160) Amperes



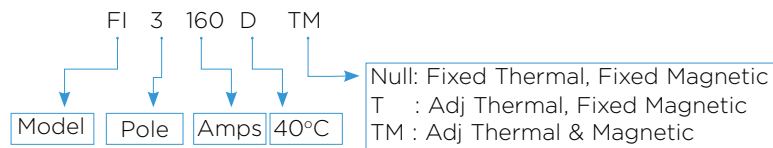
Product description:

Complying to IEC 60947-2,
Maximum continuous Ampere rating at 40°C Voltage 240/415V,
Frequency 50/60Hz

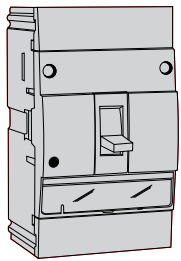
Ue Maximum	415V
Icu	25/36/50 kA
Ics	25/36/50 kA
Ui	800V
Uimp	8kV

Dimension:	H	W	D	Weight Kgs.
2Pole	155	60	77	0.85
3Pole		90		1.2
4Pole		120		1.6

Marking
CE

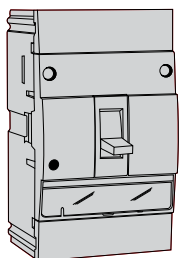


FI-Frame MCCB 25kA AT 415V (Fixed Thermal & Magnetic) 40°C



In (A)	2 pole		3 pole		4 pole	
	Cat. No.	Ref.No.	Cat. No.	Ref.No.	Cat. No.	Ref.No.
16A	FI2016D	W610865	FI3016D	W610878	FI4016D	W610891
20A	FI2020D	W610866	FI3020D	W610879	FI4020D	W610892
25A	FI2025D	W610867	FI3025D	W610880	FI4025D	W610893
32A	FI2032D	W610868	FI3032D	W610881	FI4032D	W610894
40A	FI2040D	W610869	FI3040D	W610882	FI4040D	W610895
50A	FI2050D	W610870	FI3050D	W610883	FI4050D	W610896
63A	FI2063D	W610871	FI3063D	W610884	FI4063D	W610897
70A	FI2070D	W610872	FI3070D	W610885	FI4070D	W610898
80A	FI2080D	W610873	FI3080D	W610886	FI4080D	W610899
90A	FI2090D	W610874	FI3090D	W610887	FI4090D	W610900
100A	FI2100D	W610875	FI3100D	W610888	FI4100D	W610901
125A	FI2125D	W610876	FI3125D	W610889	FI4125D	W610902
160A	FI2160D	W610877	FI3160D	W610890	FI4160D	W610903

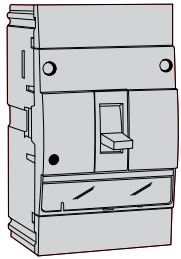
FS-Frame MCCB 36kA AT 415V (Fixed Thermal & Magnetic) 40°C



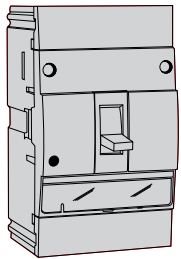
In (A)	2 pole		3 pole		4 pole	
	Cat.No.	Ref.No.	Cat.No.	Ref.No.	Cat.No.	Ref.No.
16A	FS2016D	W610904	FS3016D	W610917	FS4016D	W610930
20A	FS2020D	W610905	FS3020D	W610918	FS4020D	W610931
25A	FS2025D	W610906	FS3025D	W610919	FS4025D	W610932
32A	FS2032D	W610907	FS3032D	W610920	FS4032D	W610933
40A	FS2040D	W610908	FS3040D	W610921	FS4040D	W610934
50A	FS2050D	W610909	FS3050D	W610922	FS4050D	W610935
63A	FS2063D	W610910	FS3063D	W610923	FS4063D	W610936
70A	FS2070D	W610911	FS3070D	W610924	FS4070D	W610937
80A	FS2080D	W610912	FS3080D	W610925	FS4080D	W610938
90A	FS2090D	W610913	FS3090D	W610926	FS4090D	W610939
100A	FS2100D	W610914	FS3100D	W610927	FS4100D	W610940
125A	FS2125D	W610915	FS3125D	W610928	FS4125D	W610941
160A	FS2160D	W610916	FS3160D	W610929	FS4160D	W610942

Frame Size F (16-160) Amperes

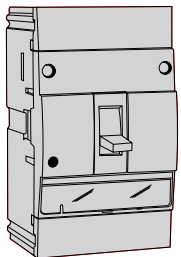
1


FH-Frame MCCB 50kA AT 415V (Fixed Thermal & Magnetic) 40°C

In (A)	2 pole		3 pole		4 pole	
	Cat.No.	Ref.No.	Cat.No.	Ref.No.	Cat.No.	Ref.No.
16A	FH2016D	W610956	FH3016D	W602178	FH4016D	W610969
20A	FH2020D	W610957	FH3020D	W602179	FH4020D	W610970
25A	FH2025D	W610958	FH3025D	W602180	FH4025D	W610971
32A	FH2032D	W610959	FH3032D	W602181	FH4032D	W610972
40A	FH2040D	W610960	FH3040D	W602182	FH4040D	W610973
50A	FH2050D	W610961	FH3050D	W602183	FH4050D	W610974
63A	FH2063D	W610962	FH3063D	W602184	FH4063D	W610975
70A	FH2070D	W610963	FH3070D	W602185	FH4070D	W610976
80A	FH2080D	W610964	FH3080D	W602186	FH4080D	W610977
90A	FH2090D	W610965	FH3090D	W602187	FH4090D	W610978
100A	FH2100D	W610966	FH3100D	W602188	FH4100D	W610979
125A	FH2125D	W610967	FH3125D	W602189	FH4125D	W610980
160A	FH2160D	W610968	FH3160D	W602190	FH4160D	W610981

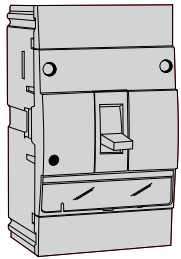

FI-Frame MCCB 25kA AT 415V (Adjustable Thermal - Fixed Magnetic) 40°C

In (A)	2 pole		3 pole		4 pole	
	Cat.No.	Ref.No.	Cat.No.	Ref.No.	Cat.No.	Ref.No.
16A	FI2016DT	W610982	FI3016DT	W610995	FI4016DT	W611008
20A	FI2020DT	W610983	FI3020DT	W610996	FI4020DT	W611009
25A	FI2025DT	W610984	FI3025DT	W610997	FI4025DT	W611010
32A	FI2032DT	W610985	FI3032DT	W610998	FI4032DT	W611011
40A	FI2040DT	W610986	FI3040DT	W610999	FI4040DT	W611012
50A	FI2050DT	W610987	FI3050DT	W611000	FI4050DT	W611013
63A	FI2063DT	W610988	FI3063DT	W611001	FI4063DT	W611014
70A	FI2070DT	W610989	FI3070DT	W611002	FI4070DT	W611015
80A	FI2080DT	W610990	FI3080DT	W611003	FI4080DT	W611016
90A	FI2090DT	W610991	FI3090DT	W611004	FI4090DT	W611017
100A	FI2100DT	W610992	FI3100DT	W611005	FI4100DT	W611018
125A	FI2125DT	W610993	FI3125DT	W611006	FI4125DT	W611019
160A	FI2160DT	W610994	FI3160DT	W611007	FI4160DT	W611020

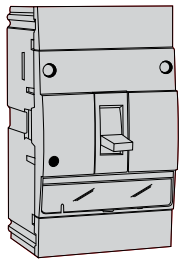

FS-Frame MCCB 36kA AT 415V (Fixed Thermal & Magnetic) 40°C

In (A)	2 pole		3 pole		4 pole	
	Cat. No.	Ref.No.	Cat. No.	Ref.No.	Cat. No.	Ref.No.
16A	FS2016DT	W611021	FS3016DT	W611034	FS4016DT	W611047
20A	FS2020DT	W611022	FS3020DT	W611035	FS4020DT	W611048
25A	FS2025DT	W611023	FS3025DT	W611036	FS4025DT	W611049
32A	FS2032DT	W611024	FS3032DT	W611037	FS4032DT	W611050
40A	FS2040DT	W611025	FS3040DT	W611038	FS4040DT	W611051
50A	FS2050DT	W611026	FS3050DT	W611039	FS4050DT	W611052
63A	FS2063DT	W611027	FS3063DT	W611040	FS4063DT	W611053
70A	FS2070DT	W611028	FS3070DT	W611041	FS4070DT	W611054
80A	FS2080DT	W611029	FS3080DT	W611042	FS4080DT	W611055
90A	FS2090DT	W611030	FS3090DT	W611043	FS4090DT	W611056
100A	FS2100DT	W611031	FS3100DT	W611044	FS4100DT	W611057
125A	FS2125DT	W611032	FS3125DT	W611045	FS4125DT	W611058
160A	FS2160DT	W611033	FS3160DT	W611046	FS4160DT	W611059

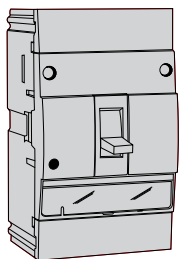
Frame Size F (16-160) Amperes

FH-Frame MCCB 50kA AT 415V (Fixed Thermal & Magnetic) 40°C


In (A)	2 pole		3 pole		4 pole	
	Cat. No.	Ref.No.	Cat. No.	Ref.No.	Cat. No.	Ref.No.
16A	FH2016DT	W611060	FH3016DT	W611073	FH4016DT	W611086
20A	FH2020DT	W611061	FH3020DT	W611074	FH4020DT	W611087
25A	FH2025DT	W611062	FH3025DT	W611075	FH4025DT	W611088
32A	FH2032DT	W611063	FH3032DT	W611076	FH4032DT	W611089
40A	FH2040DT	W611064	FH3040DT	W611077	FH4040DT	W611090
50A	FH2050DT	W611065	FH3050DT	W611078	FH4050DT	W611091
63A	FH2063DT	W611066	FH3063DT	W611079	FH4063DT	W611092
70A	FH2070DT	W611067	FH3070DT	W611080	FH4070DT	W611093
80A	FH2080DT	W611068	FH3080DT	W611081	FH4080DT	W611094
90A	FH2090DT	W611069	FH3090DT	W611082	FH4090DT	W611095
100A	FH2100DT	W611070	FH3100DT	W611083	FH4100DT	W611096
125A	FH2125DT	W611071	FH3125DT	W611084	FH4125DT	W611097
160A	FH2160DT	W611072	FH3160DT	W611085	FH4160DT	W611098

FI-Frame MCCB 25kA AT 415V (Adjustable Thermal & Magnetic) 40°C


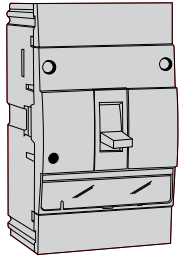
In (A)	2 pole		3 pole		4 pole	
	Cat. No.	Ref.No.	Cat. No.	Ref.No.	Cat. No.	Ref.No.
16A	FI2016DTM	W611099	FI3016DTM	W611112	FI4016DTM	W611125
20A	FI2020DTM	W611100	FI3020DTM	W611113	FI4020DTM	W611126
25A	FI2025DTM	W611101	FI3025DTM	W611114	FI4025DTM	W611127
32A	FI2032DTM	W611102	FI3032DTM	W611115	FI4032DTM	W611128
40A	FI2040DTM	W611103	FI3040DTM	W611116	FI4040DTM	W611129
50A	FI2050DTM	W611104	FI3050DTM	W611117	FI4050DTM	W611130
63A	FI2063DTM	W611105	FI3063DTM	W611118	FI4063DTM	W611131
70A	FI2070DTM	W611106	FI3070DTM	W611119	FI4070DTM	W611132
80A	FI2080DTM	W611107	FI3080DTM	W611120	FI4080DTM	W611133
90A	FI2090DTM	W611108	FI3090DTM	W611121	FI4090DTM	W611134
100A	FI2100DTM	W611109	FI3100DTM	W611122	FI4100DTM	W611135
125A	FI2125DTM	W611110	FI3125DTM	W611123	FI4125DTM	W611136
160A	FI2160DTM	W611111	FI3160DTM	W611124	FI4160DTM	W611137

FS-Frame MCCB 36kA AT 415V (Adjustable Thermal & Magnetic) 40°C


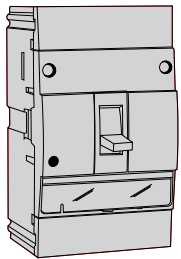
In (A)	2 pole		3 pole		4 pole	
	Cat. No.	Ref.No.	Cat. No.	Ref.No.	Cat. No.	Ref.No.
16A	FS2016DTM	W611138	FS3016DTM	W611151	FS4016DTM	W611164
20A	FS2020DTM	W611139	FS3020DTM	W611152	FS4020DTM	W611165
25A	FS2025DTM	W611140	FS3025DTM	W611153	FS4025DTM	W611166
32A	FS2032DTM	W611141	FS3032DTM	W611154	FS4032DTM	W611167
40A	FS2040DTM	W611142	FS3040DTM	W611155	FS4040DTM	W611168
50A	FS2050DTM	W611143	FS3050DTM	W611156	FS4050DTM	W611169
63A	FS2063DTM	W611144	FS3063DTM	W611157	FS4063DTM	W611170
70A	FS2070DTM	W611145	FS3070DTM	W611158	FS4070DTM	W611171
80A	FS2080DTM	W611146	FS3080DTM	W611159	FS4080DTM	W611172
90A	FS2090DTM	W611147	FS3090DTM	W611160	FS4090DTM	W611173
100A	FS2100DTM	W611148	FS3100DTM	W611161	FS4100DTM	W611174
125A	FS2125DTM	W611149	FS3125DTM	W611162	FS4125DTM	W611175
160A	FS2160DTM	W611150	FS3160DTM	W611163	FS4160DTM	W611176

Frame Size F (16-160) Amperes

1


FH-Frame MCCB 50kA AT 415V (Adjustable Thermal & Magnetic) 40°C

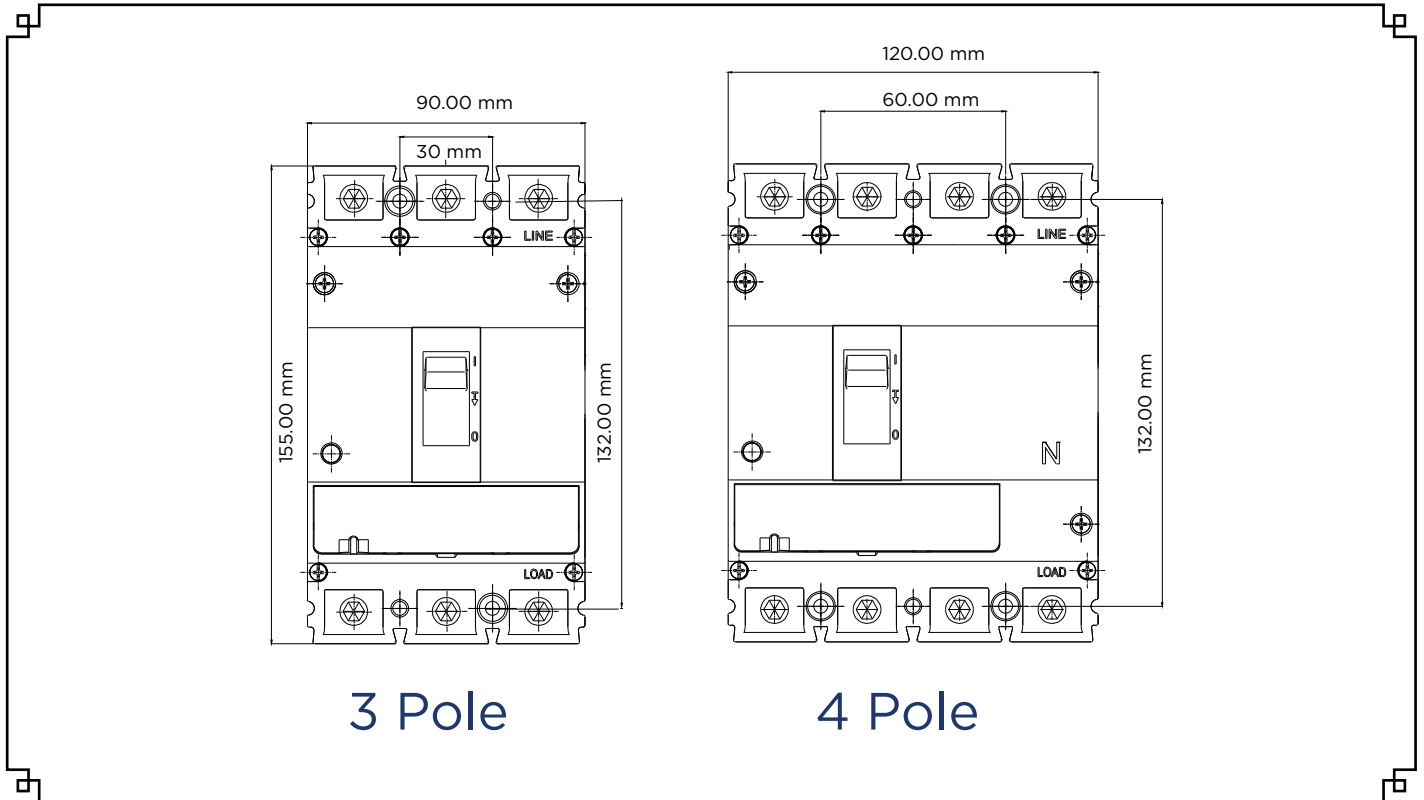
12.5	2 pole		3 pole		4 pole	
	Cat. No.	Ref.No.	Cat. No.	Ref.No.	Cat. No.	Ref.No.
16A	FH2016DTM	W611177	FH3016DTM	W611190	FH4016DTM	W611203
20A	FH2020DTM	W611178	FH3020DTM	W611191	FH4020DTM	W611204
25A	FH2025DTM	W611179	FH3025DTM	W611192	FH4025DTM	W611205
32A	FH2032DTM	W611180	FH3032DTM	W611193	FH4032DTM	W611206
40A	FH2040DTM	W611181	FH3040DTM	W611194	FH4040DTM	W611207
50A	FH2050DTM	W611182	FH3050DTM	W611195	FH4050DTM	W611208
63A	FH2063DTM	W611183	FH3063DTM	W611196	FH4063DTM	W611209
70A	FH2070DTM	W611184	FH3070DTM	W611197	FH4070DTM	W611210
80A	FH2080DTM	W611185	FH3080DTM	W611198	FH4080DTM	W611211
90A	FH2090DTM	W611186	FH3090DTM	W611199	FH4090DTM	W611212
100A	FH2100DTM	W611187	FH3100DTM	W611200	FH4100DTM	W611213
125A	FH2125DTM	W611188	FH3125DTM	W611201	FH4125DTM	W611214
160A	FH2160DTM	W611189	FH3160DTM	W611202	FH4160DTM	W611215

FIY (Non Automatic Circuit Breaker) 40°C


In (A)	2 pole		3 pole		4 pole	
	Cat. No.	Ref.No.	Cat. No.	Ref.No.	Cat. No.	Ref.No.
16A	FIY2016D	W611216	FIY3016D	W611229	FIY4016D	W611242
20A	FIY2020D	W611217	FIY3020D	W611230	FIY4020D	W611243
25A	FIY2025D	W611218	FIY3025D	W611231	FIY4025D	W611244
32A	FIY2032D	W611219	FIY3032D	W611232	FIY4032D	W611245
40A	FIY2040D	W611220	FIY3040D	W611233	FIY4040D	W611246
50A	FIY2050D	W611221	FIY3050D	W611234	FIY4050D	W611247
63A	FIY2063D	W611222	FIY3063D	W611235	FIY4063D	W611248
70A	FIY2070D	W611223	FIY3070D	W611236	FIY4070D	W611249
80A	FIY2080D	W611224	FIY3080D	W611237	FIY4080D	W611250
90A	FIY2090D	W611225	FIY3090D	W611238	FIY4090D	W611251
100A	FIY2100D	W611226	FIY3100D	W611239	FIY4100D	W611252
125A	FIY2125D	W611227	FIY3125D	W611240	FIY4125D	W611253
160A	FIY2160D	W611228	FIY3160D	W611241	FIY4160D	W611254

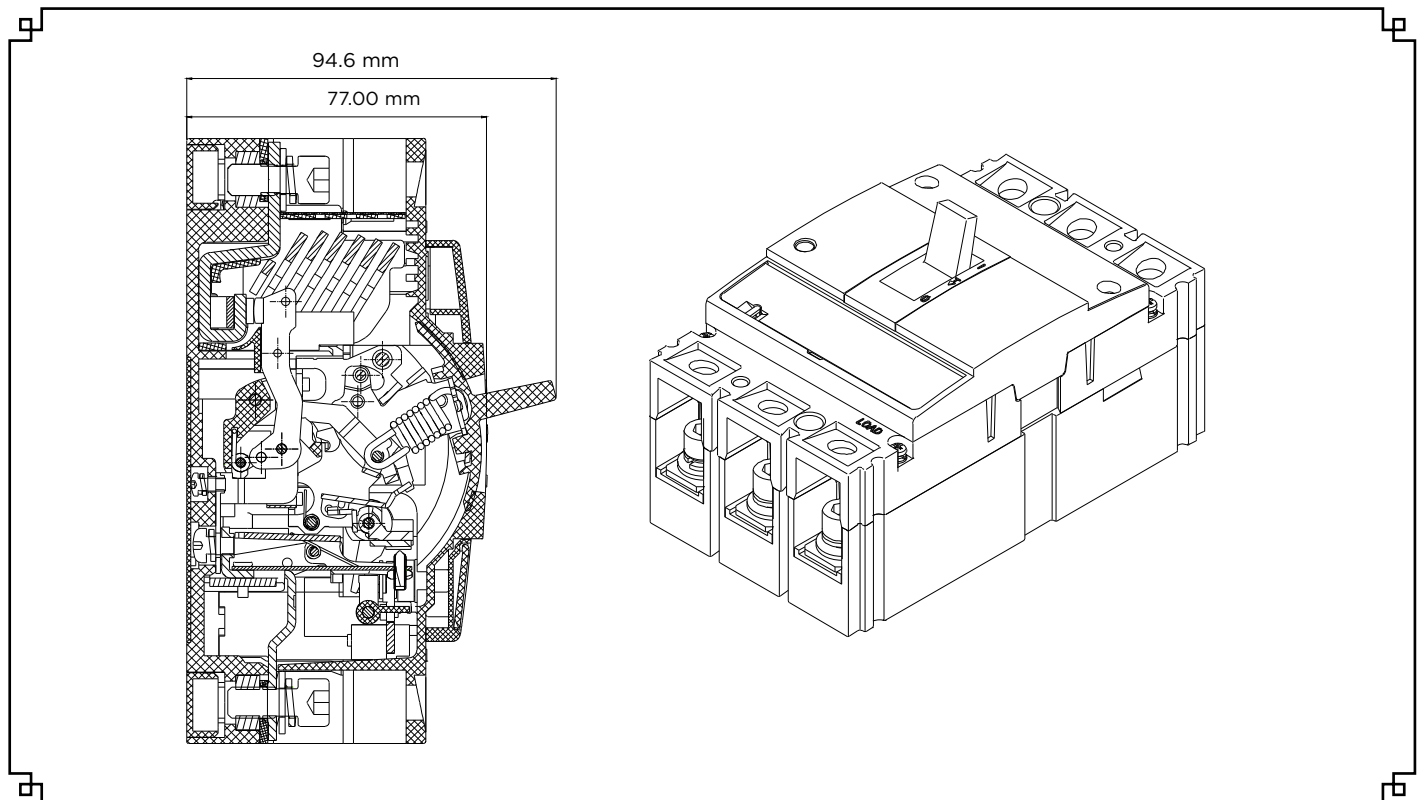
Frame Size F (16-160) Amperes

Drawing



3 Pole

4 Pole



1

Moulded Case Circuit Breakers